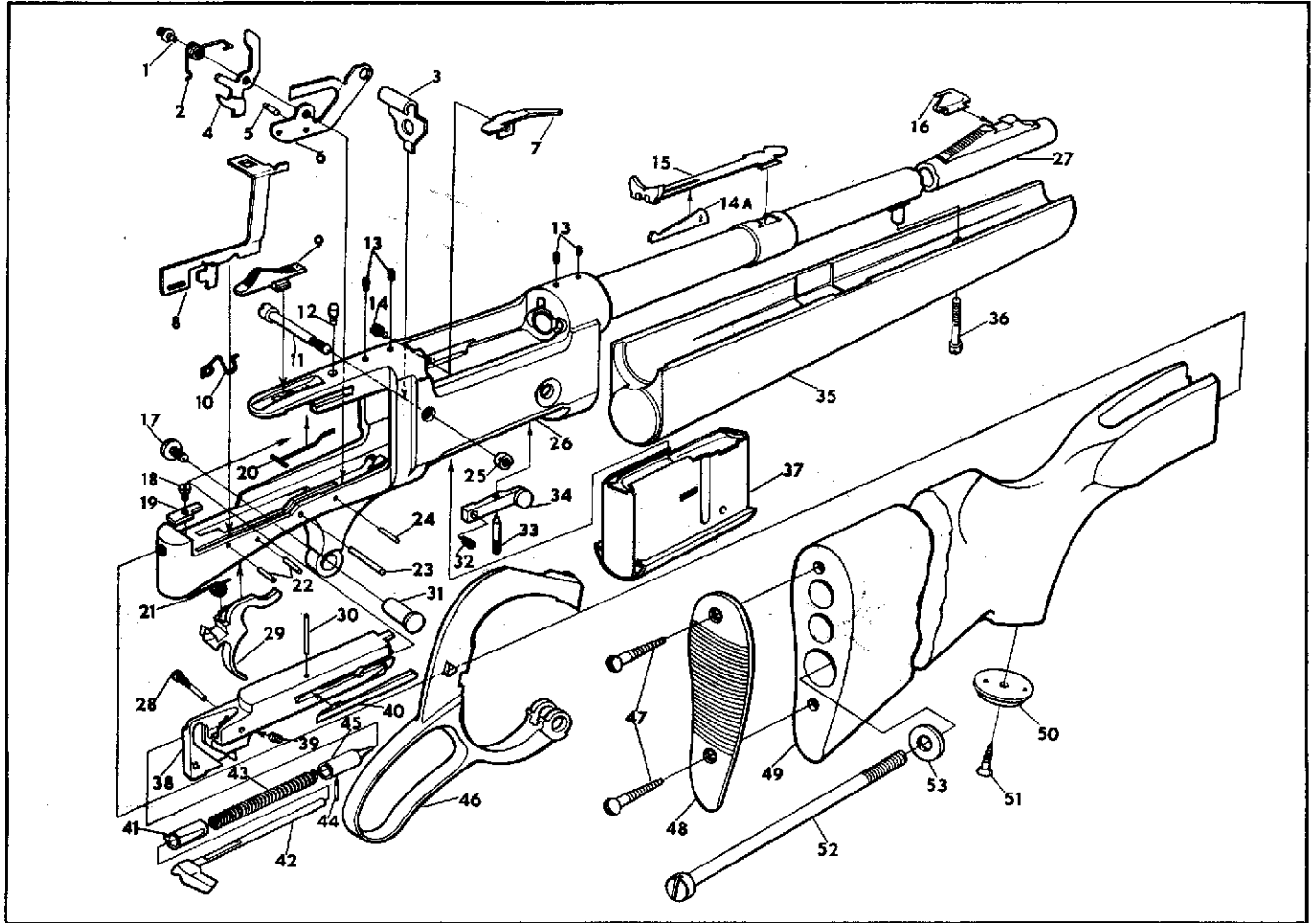


# Savage Model 99C Repeating Lever Action Rifle

## COMPONENT PARTS

(When ordering parts, it is necessary to specify model number and letter, caliber or gauge, serial number if any)



Key No.	Part No.	Part Name	Key No.	Part No.	Part Name	Key No.	Part No.	Part Name
1	99-651	Sear Stop Stud .....	20	99A-428	Hammer Indicator Spring .....	38	99C-25	Breech Bolt .....
2	99-209	Sear Spring .....	21	99A-284	Trigger Spring .....	†	*	Breech Bolt Assembly Complete, No. 99C-710 .....
3	99C-76	Filler Block .....	22	99-648	Safety Slide Stop Pin .....	39	99-429	Hammer Retractor Spring .....
4	*99A-205	Sear .....	22	99-648	Safety Slide Spring Pin .....	40	99-59	Extractor .....
5	99A-650	Sear Pivot Stud .....	23	99-285	Trigger Pin .....	41	99-424	Hammer Bushing .....
6	*99A-652	Sear Bracket .....	24	99-653	Sear Bracket Pin .....	42	99A-107	Hammer .....
7	99C-53	Ejector .....	25	99-442	Sear Screw Nut .....	†	†	Hammer Assembly No. 99A-701 .....
8	*99A-645	Safety Slide .....	26	99C-2	Receiver .....	43	99A-166	Mainspring .....
9	99A-193	Safety Button .....	27	*99F-1	Barrel (Specify Caliber) .....	44	99-395	Firing Pin Securing Pin .....
10	99A-447	Safety Slide Spring .....	28	99-425	Hammer Bushing Screw .....	45	99-77	Firing Pin .....
11	99H-441	Sear Screw .....	29	*99A-279	Trigger .....	46	*99A-416	Lever .....
12	99A-426	Hammer Indicator .....	30	99-65	Extractor Pin .....	47	99-32	Butt Plate Screw .....
13	99R-289	Dummy Screw .....	31	99-417	Lever Bushing .....	48	99-5	Butt Plate .....
14	99C-292	Ejector Screw .....	32	99C-486	Magazine Latch Spring .....	49	99C-708	Stock .....
14A	99F-233	Rear Sight Step .....	33	99C-484	Magazine Latch Pin .....	50	99-422	Pistol Grip Cap .....
15	340C-229	Rear Sight end Step .....	34	99C-495	Magazine Latch .....	51	99-423	Pistol Grip Cap Screw .....
16	99-218	Front Sight .....	35	99F-4	Fore-end (Specify Caliber) .....	52	775-252	Stock Bolt .....
17	99-419	Lever Bushing Screw .....	36	99R-421	Fore-end Screw .....	53	94-253	Stock Bolt Washer .....
18	99-444	Breech Bolt Stop Screw .....	37	99C-735	Magazine Assembly (Specify Caliber)			
19	99H-412	Breech Bolt Stop .....						

\*Not supplied on Mail Order. Complete gun must be shipped to factory for fitting. An additional charge will be made for disassembling, adjusting and reassembling action.

†Parts are not illustrated.