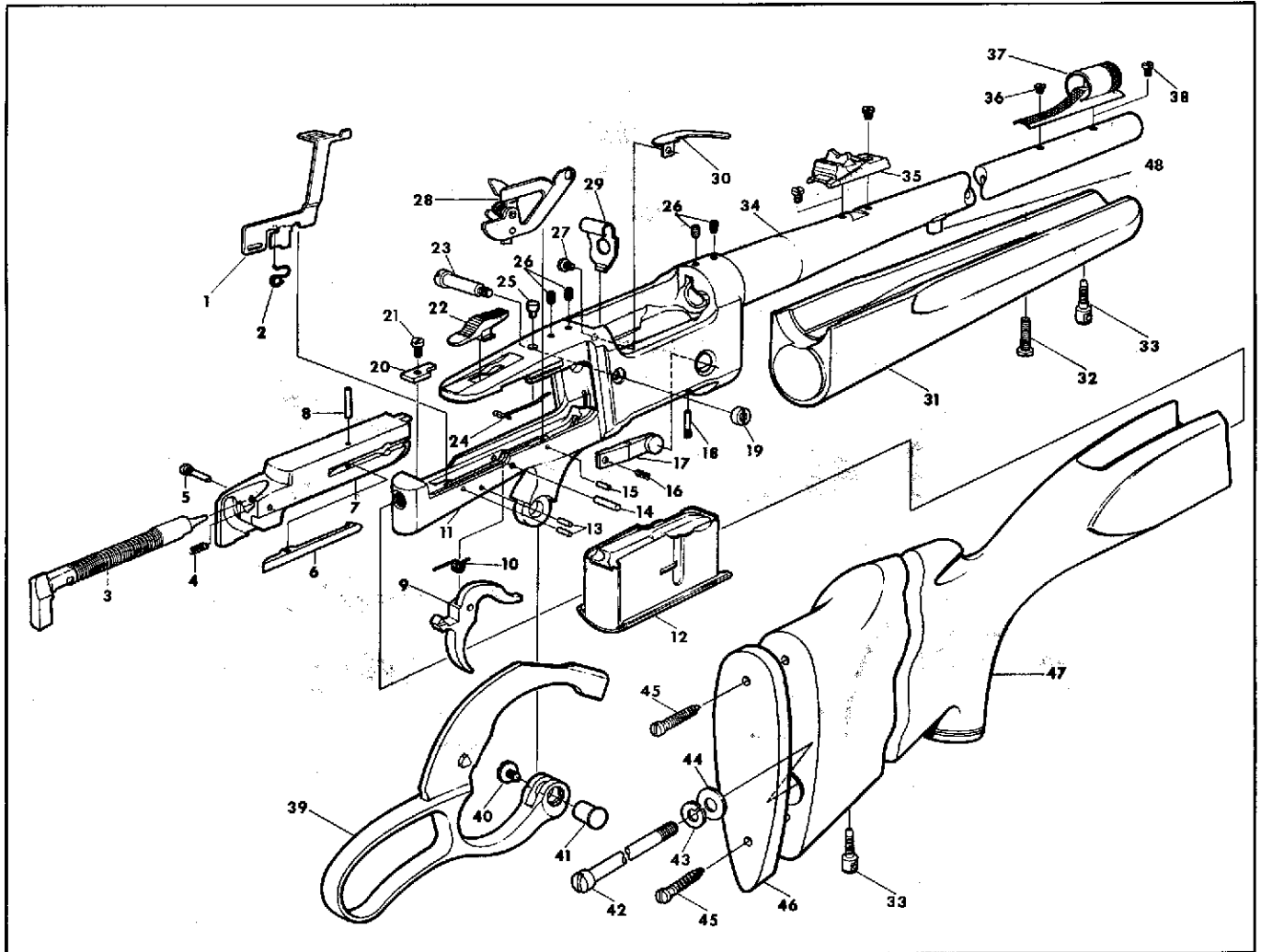


Savage Model 99 CD Series A Repeating Lever Action Rifle



WHEN ORDERING PARTS, IT IS NECESSARY TO SPECIFY MODEL NUMBER AND SERIES, CALIBER AND SERIAL NUMBER.

99CD-11-76

Key No.	Part No.	Part Name	Key No.	Part No.	Part Name	Key No.	Part No.	Part Name
1	**99-645	Safety Slide	15	99-653	Sear Bracket Pin	36	313-227	Front Sight Screw, Short
2	99-647	Safety Slide Spring	16	99C-486	Magazine Latch Spring	37	A99D-219	Front Sight Assembly and Screws
3	A99A-107	Hammer Assembly	17	A99C-495	Magazine Latch	38	99D-226	Front Sight Screw, Long
	†99-77	Firing Pin (sold as hammer assembly only)	18	99C-484	Magazine Latch Pin	39	**A99A-416	Lever
	†99A-166	Mainspring	19	99-442	Sear Screw Nut	40	99-419	Lever Bushing Screw
	†99-396	Firing Pin Securing Pin	20	99H-412	Breech Bolt Stop	41	A99-417	Lever Bushing
	†99-424	Hammer Bushing	21	99-444	Breech Bolt Stop Screw	42	940-252	Stock Bolt
4	99-429	Hammer Retractor Spring	22	99-193	Safety Button	43	940-256	Stock Bolt Lock Washer
5	99-425	Hammer Bushing Screw	23	99H-441	Sear Screw	44	94-253	Stock Bolt Washer
6	99-59	Extractor	24	99A-428	Hammer Indicator Spring	45	515-60	Recoil Pad Screw
7	**99H-25	Breech Bolt	25	99A-426M	Hammer Indicator No. 2	46	110-314V	Recoil Pad (requires some fitting)
	†**A99B-25	Breech Bolt Assembly	26	99R-289	Dummy Screw	47	A99D-3	Stock Assembly (requires some fitting)
8	99-65	Extractor Pin	27	99C-202	Ejector Screw		†110-422	Pistol Grip Cap (if available)
9	**99B-279	Trigger	28	**A99-652	Sear Bracket Assembly		†110-669	Pistol Grip Liner (if available)
10	99A-284	Trigger Spring	29	99C-76	Filler Block		†99-423	Pistol Grip Cap Screw (if available)
11	*99C-2	Receiver	30	99C-53	Ejector		†A313-569	Carrying Strap and Swivels (if available)
12	A99C-142	Magazine Assembly (requires some fitting)	31	99D-4	Forend (requires some fitting)	48	99-11	Barrel Stud
13	99-648	Safety Slide Stop and Spring Pin	32	99E-421	Forend Screw			
14	99-285	Trigger Pin	33	170-345	Swivel Stud			
			34	**99-1	Barrel (specify caliber)			
			35	A99D-229	Rear Sight Assembly and Screws			

*Sold for factory installation only. Complete firearm to be returned to factory through one of our Recommended Gunsmiths.

**Restricted Part. Sold only to Savage Recommended Gunsmiths who have executed an agreement with us

†Parts not illustrated.